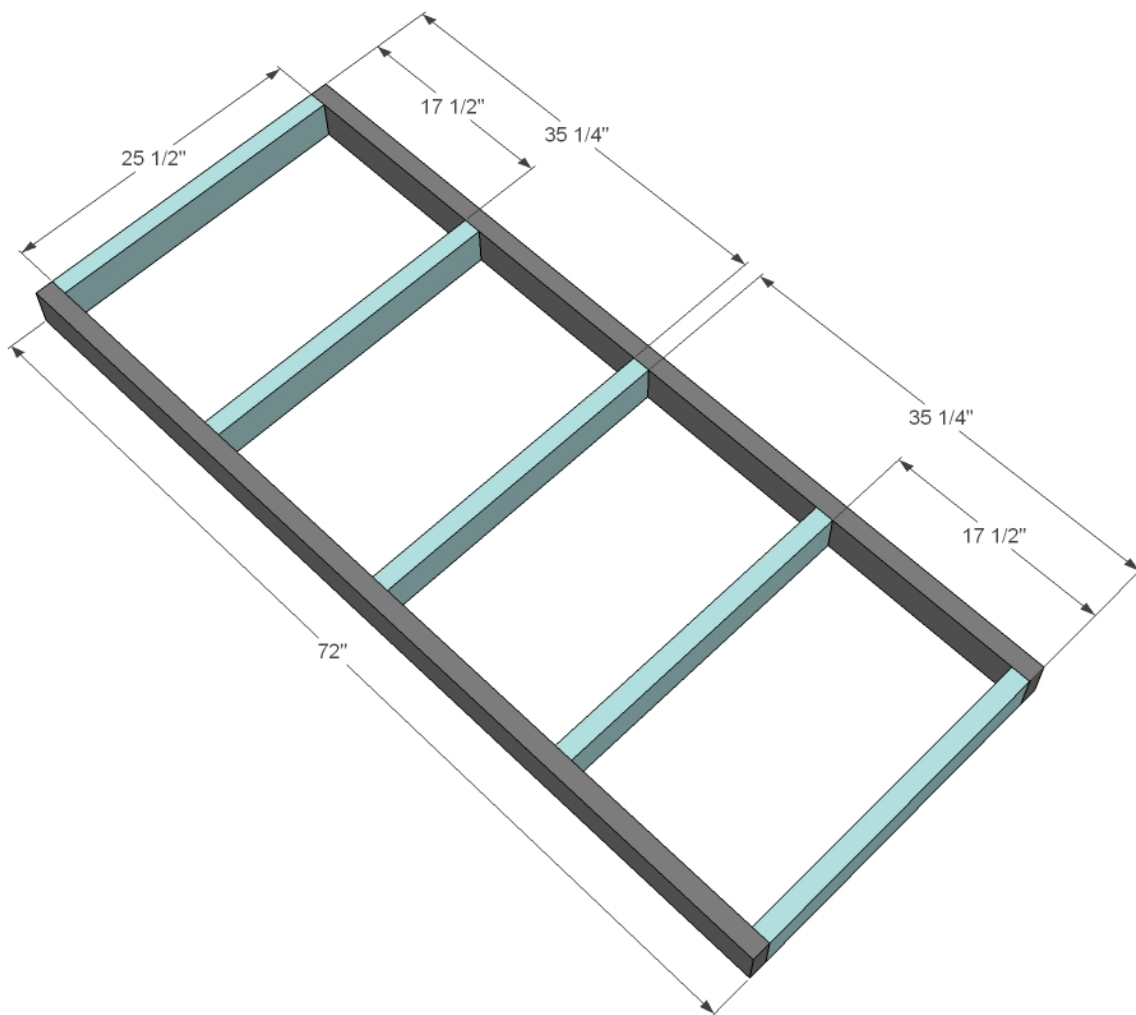
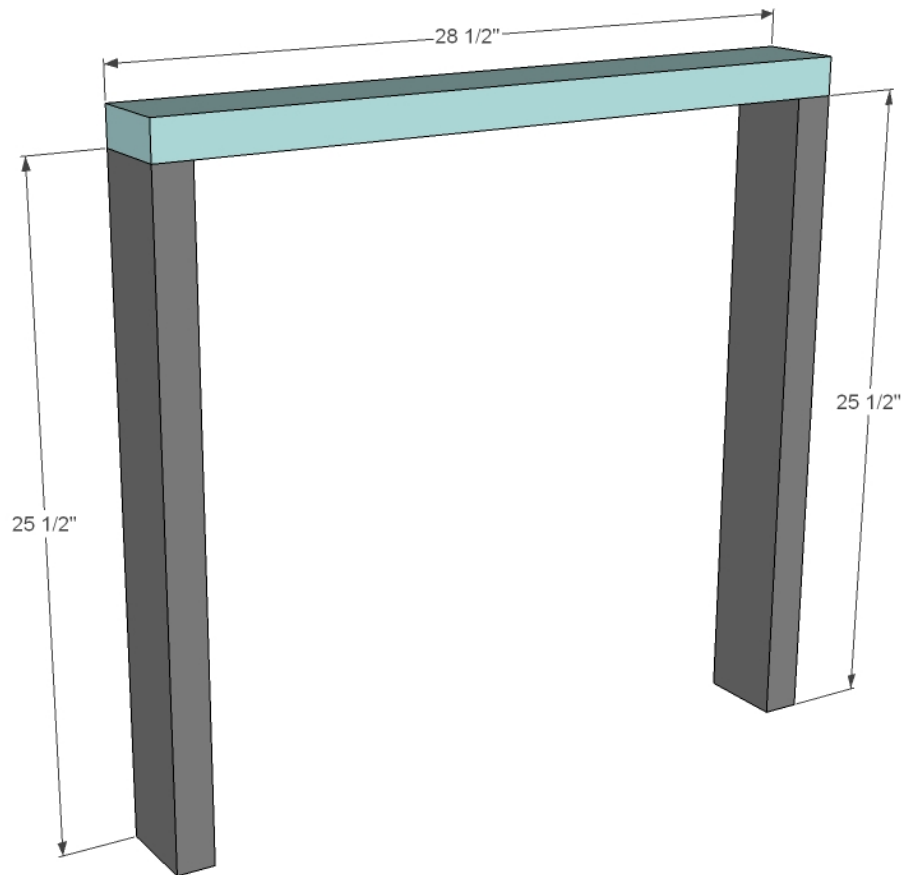


Shopping List	Cut List
11 - 2x4x10' (prefer cedar boards) 2-1/2" self-tapping exterior decking screws 2-1/2" pocket hole screws (4) Wood glue Sandpaper  <b>TOOLS</b> Saw (circular or compound miter saw) Sander Measuring Tape Square Drill with Driver/Drill Bits Mini Pocket Hole Jig	9 - 2x4 @ 72" 13 - 2x4 @ 25-1/2" 2 - 2x4 @ 28-1/2"

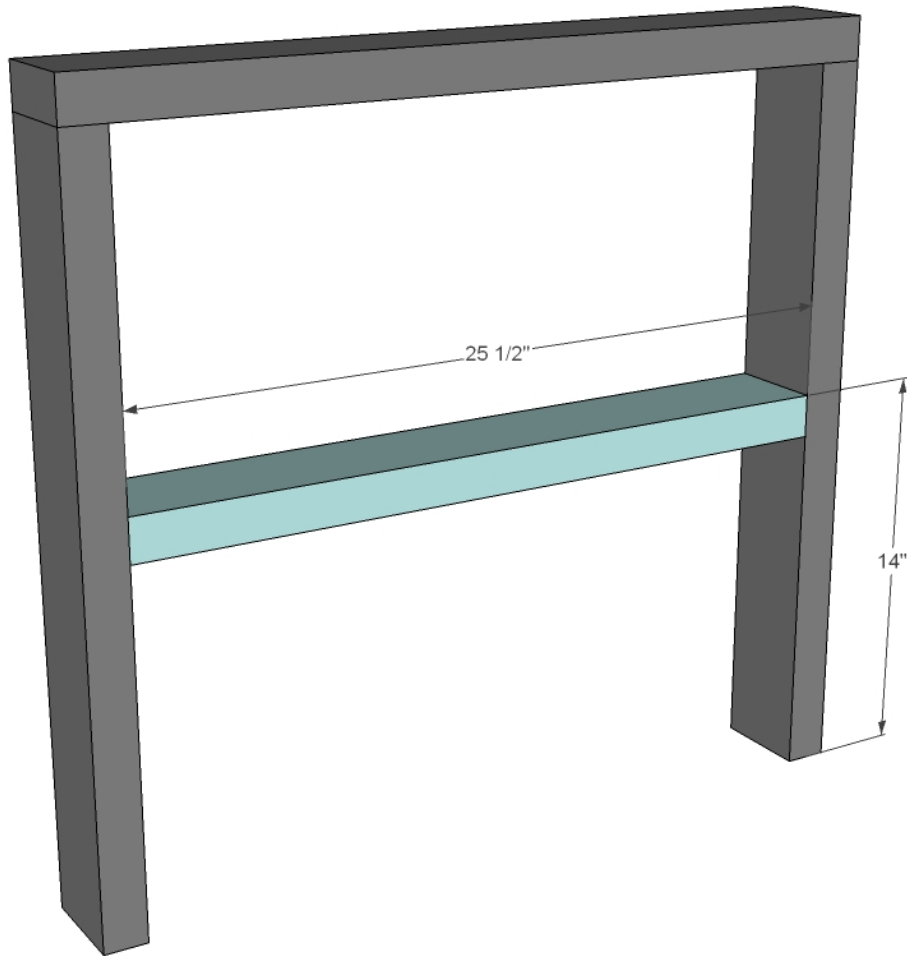


First, cut all of your boards. I'm using a compound miter saw with a stand.

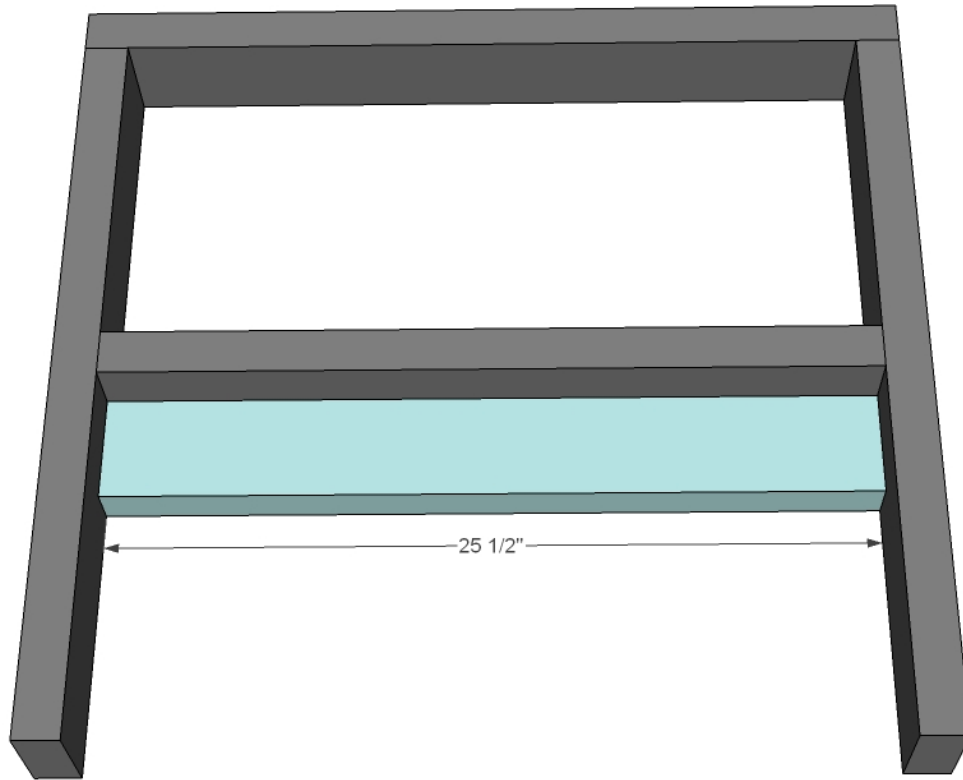
To make the seat part of this sofa, we are basically going to frame up a mini floor. Just attach 5 of the 25-1/2" long 2x4s to 2 of the 72" long 2x4s, spacing about 16" apart. Use 2-1/2" exterior decking screws.



We'll start the arms by attaching the armrest to the two legs. I'm using 2-1/2 exterior decking screws.



Next, add the supports, 14" up from the bottom of the legs with 2-1/2" decking screws.



To finish the arms, add another board underneath. We'll use this board to tie into the seat framing in the next step.



Attach the seat framing to the arms with 2-1/2" exterior screws.



Now we can start adding the seat slats. Just screw down to the seat framing with 2-1/2" exterior decking screws.



Finally, attach the back. This time, use 2-1/2" pocket hole screws.

That's it! Hard to believe this beautiful outdoor sofa is made from 2x4 boards!

Now it's time to kick back and enjoy your sofa!